



XLH™ Hybrid Electric Upfit

Provides a 25% increase in miles driven per gallon*

XL, the leader in connected fleet electrification solutions, gives service, delivery, and shuttle fleets a hybrid electric upfit solution that improves fuel efficiency by 25% and significantly decreases CO2 emissions. Our revolutionary XLH™ hybrid electric system seamlessly installs onto the powertrain, transforming your commercial vans and shuttles into hybrid-electric vehicles with the same acceleration and better braking.

Fleet-Ready™

XL hybrid systems install quickly and easily onto factory vehicles, so they're ready to work within your existing fleet – with no driver training, special fueling infrastructure or range concerns. The manufacturer powertrain and warranty remain completely intact, and our hybrid component warranty is 3 years / 75,000 miles.

Big Savings

Our XLH hybrid system delivers a 25% increase in miles per gallon* and significantly decreases CO2 emissions. Drivers spend more time driving and less time refueling at the pump.

Superior Performance

XL vehicles drive just like conventional vehicles in your fleet. Our customers have driven well over 60 million miles with XL systems, with a proven track record of 99.9% vehicle uptime.

Cutaways & Stripped Chassis

- › Ford E-350/450 Cutaways and Stripped Chassis (6.8L engines)
- › All wheelbase configurations
- › Both single and dual rear wheels



Easy integration as a new vehicle upfit or as a retrofit.

For Sales Call: **1-833-XL-FLEET**
or email salesteam@XLfleet.com



XL is the first Ford Electrification Qualified Vehicle Modifier (eQVM)

* Actual MPG may vary.



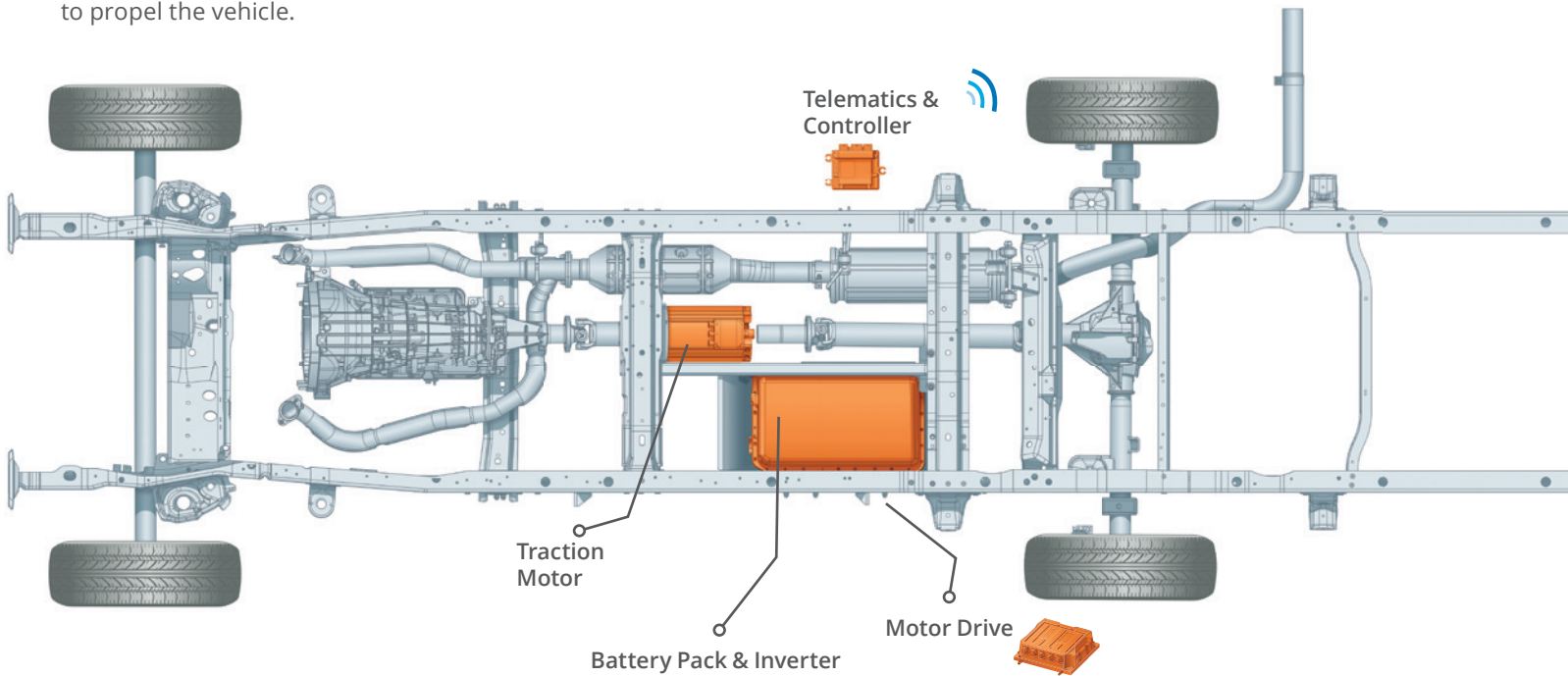


Ford E-350/450



XLH™ Hybrid Electric Drive System

Our hybrid electric technology is charge-sustaining. The hybrid system saves fuel through regenerative braking, a process by which the electric motor helps slow the vehicle during braking to charge the hybrid battery. As the driver accelerates, the hybrid battery releases the stored energy to the electric motor, helping to propel the vehicle.



XLH™ Hybrid System	Specifications
MPG Improvement*	25%
System Voltage	259V
Lithium Ion Battery	1.8 kWh
System Weight	385 lbs
Electronic Speed Governor	Up to 75 MPH
System Torque (Peak)	220 lb-ft (Added at Driveline)
Component Warranty	3-Year / 75,000 Miles



Intelligent Decisions

Our proprietary, cloud-based, vehicle connectivity platform provides actionable intelligence, including speed, idling, vehicle drive cycle, and CO2 emissions reduction.

* Actual MPG may vary.

Contact Us: 1-833-XL-FLEET / salesteam@XLfleet.com / XLfleet.com