



XLH™ Hybrid Electric Upfit

XL Fleet, a leader in commercial and municipal fleet electrification solutions, has introduced the first hybrid electric Ford F-250/350 solution, with the same legendary vehicle performance. Our revolutionary XLH hybrid electric system seamlessly installs onto the Ford powertrain, transforming your trucks into hybrid electric vehicles that can still handle the rugged towing, hauling and utility applications you need.

Fleet-Ready™

XL hybrid systems install quickly and easily onto factory vehicles, so they're ready to work in your existing fleet with:

- no driver training
- no special fueling infrastructure
- no range concerns

The manufacturer powertrain and warranty remain completely intact, and our hybrid component warranty is 3 years / 75,000 miles.

Meet Sustainability Goals

Our XLH hybrid system improves fuel efficiency and decreases CO2 emissions. Drivers spend more time driving and less time refueling at the pump.

Superior Performance

XL vehicles drive just like conventional trucks in your fleet. Because the XLH system works in parallel with the OEM powertrain, the hybrid electric Ford F-250 performs as you expect it to, without range concerns.

XL Hybrid Ford F-250/350

Engine (gasoline)	6.2L
Wheelbase	All
Cab	All
Drive	4x2, 4x4

Installation available for new vehicles and retrofits.

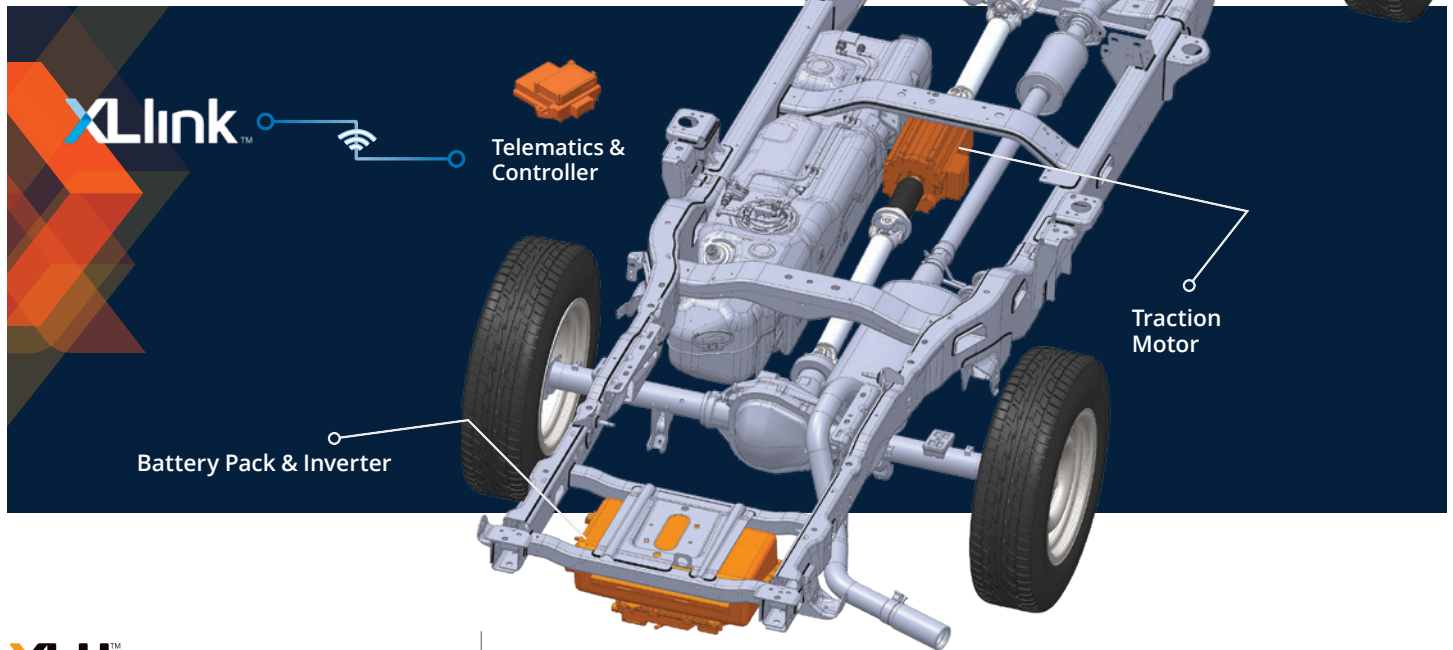
Configuration and model year availability may vary. Contact your XL Fleet sales manager for details.



XLH™ Hybrid Electric Drive System

Proven Performance Over 180 Million Miles

The XLH hybrid electric drive system has provided more than 180 million reliable, sustainable miles across a wide range of fleet vehicles. The hybrid system saves fuel through regenerative braking, a process by which the electric motor helps slow the vehicle during braking to charge the hybrid battery. As the driver accelerates, the hybrid battery releases the stored energy to the electric motor, which helps to propel the vehicle – reducing fuel consumption and lowering emissions.



XLH™ Hybrid System	Specifications
System Voltage	259V
Battery	Lithium Ion
System Weight	350 lbs
Electronic Speed Governor	Up to 75 MPH
System Torque (Peak)	220 lb-ft (Added at Driveline)
Component Warranty	3-Year / 75,000 Miles

XLLink™
Intelligent Decisions
 Our proprietary, cloud-based, vehicle connectivity platform provides actionable intelligence, including speed, idling, vehicle drive cycle and CO2 emissions reduction.

XL Fleet is a leading provider of a full suite of commercial and municipal fleet electrification solutions.

Contact Us: 1-833-XL-FLEET / sales@XLFleet.com / XLFleet.com