



## XLH™ Hybrid Electric Upfit

### Hybrid electric Ford F-250 improves fuel economy and lowers emissions

XL Fleet, the leader in commercial and municipal fleet electrification solutions, has introduced the first hybrid electric Ford F-250 solution, delivering the same legendary vehicle performance while increasing fuel economy by 25% and significantly decreasing CO2 emissions. Our revolutionary XLH™ hybrid electric system seamlessly installs onto the Ford powertrain, transforming your trucks into hybrid electric vehicles that can still handle the rugged towing, hauling and utility applications you need.

#### Fleet-Ready™

XL hybrid systems install quickly and easily onto factory vehicles, so they're ready to work within your existing fleet – with no driver training, special fueling infrastructure or range concerns. The Ford powertrain and warranty remain completely intact, and our hybrid component warranty is 3 years / 75,000 miles.

#### Big Savings

Our XLH hybrid system delivers up to a 25% increase in miles per gallon\* and significantly decreases CO2 emissions. Drivers spend more time driving and less time refueling at the pump.

#### Superior Performance

XL vehicles drive just like conventional trucks in your fleet. Our customers have driven over 100 million miles with XL systems.

### Pickup Trucks

- Ford F-250 Pickup (6.2L engine)
- 4x2, 4x4 drivelines
- All wheelbase, cab, and bed size configurations
- Better fuel efficiency from Ford's class-leading 3/4 ton pickup
- Same Ford rating for towing and cargo capacity

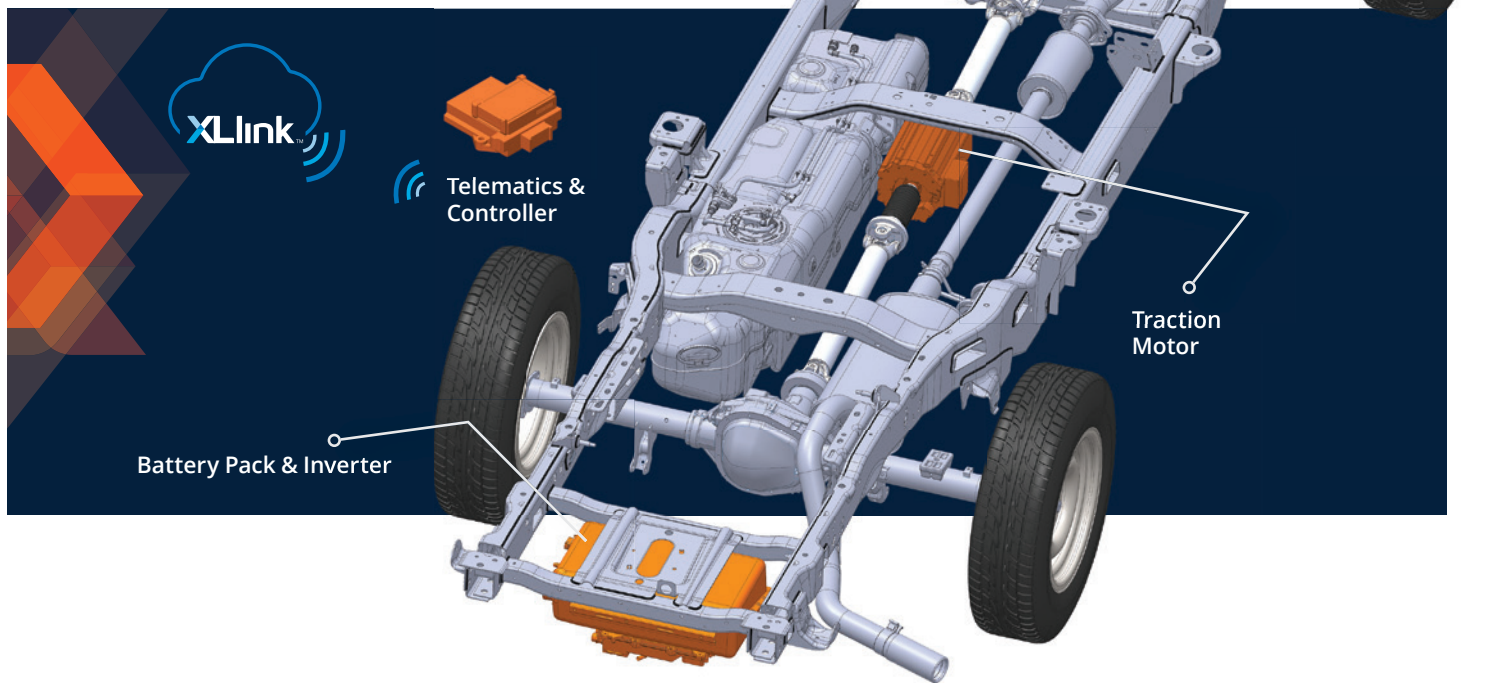


Installation complete in just hours as a ship-thru upfit.

For Sales Call: **1-833-XL-FLEET**  
or email [sales@XLFleet.com](mailto:sales@XLFleet.com)

## XLH™ Hybrid Electric Drive System

Our hybrid electric technology is charge-sustaining. The hybrid system saves fuel through regenerative braking, a process by which the electric motor helps slow the vehicle during braking to charge the hybrid battery. As the driver accelerates, the hybrid battery releases the stored energy to the electric motor, helping to propel the vehicle.



XLH™ Hybrid System	Specifications
MPG Improvement*	Up to 25%
System Voltage	259V
Battery	Lithium Ion
System Weight	350 lbs
Electronic Speed Governor	Up to 75 MPH
System Torque (Peak)	220 lb-ft (Added at Driveline)
Component Warranty	3-Year / 75,000 Miles



### Intelligent Decisions

Our proprietary, cloud-based, vehicle connectivity platform provides actionable intelligence, including speed, idling, vehicle drive cycle, and CO2 emissions reduction.

Available on the Ford F-250 pickup. (4x2 and 4x4 drivelines)

\* Actual MPG may vary.

Contact Us: 1-833-XL-FLEET / sales@XLFleet.com / XLFleet.com